



## Electrical Window Opener - Chain Drive

HCM 24 VDC / HCMA 230 VAC / HCMAR 230 VAC



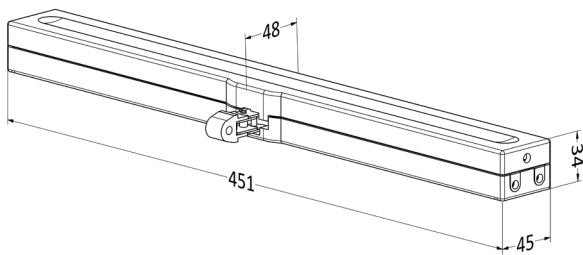
- For windows, façades and skylights
- Compact and elegant design
- Low noise level
- Chain length: 300 mm
- Pushing/pulling force: 300 N
- For natural ventilation
- Power supply 24VDC (HCM) and 230VAC (HCMA/R)
- 1,5 m silicon cable
- Housing in white coated aluminium
- Symmetrical chain exit (in proportion to the housing)
- Integrated radio receiver + remote control (HCMAR)

# Electrical Window Opener - HCM 24 VDC / HCMA 230 VAC / HCMAR 230 VAC

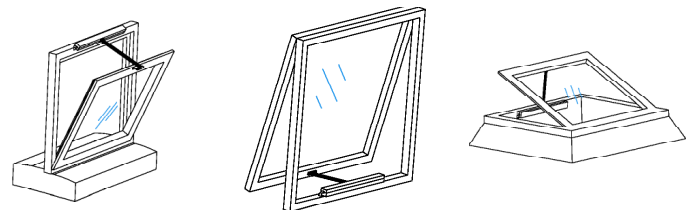
| Model           | Power supply   | Pushing/<br>pulling force | Stroke<br>length (mm) | Locking<br>pressure | Protection | Temperature   | Speed       | Size (mm)<br>(LxWxH) |
|-----------------|----------------|---------------------------|-----------------------|---------------------|------------|---------------|-------------|----------------------|
| HCM 300/300     | 24 VDC / 0,8 A | 300 / 300                 | 300                   | 1000 N              | IP 30      | -5° C - 55° C | 6,8 mm/sec. | 451 x 48 x 34        |
| HCMA 300/300    | 230 VAC / 25 W | 300 / 300                 | 300                   | 1000 N              | IP 30      | -5° C - 55° C | 6,8 mm/sec. | 451 x 48 x 34        |
| HCMA-R 300/300* | 230 VAC / 25 W | 300 / 300                 | 300                   | 1000 N              | IP 30      | -5° C - 55° C | 6,8 mm/sec. | 451 x 48 x 34        |

\* integrated radio receiver + remote control

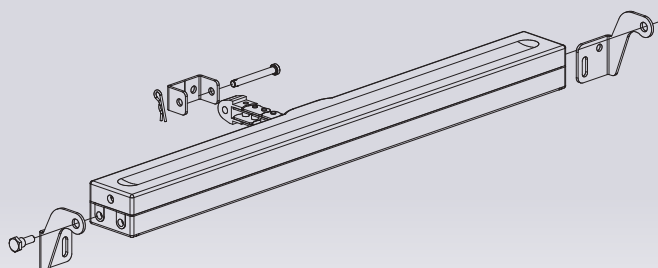
## Dimensions



## Application samples

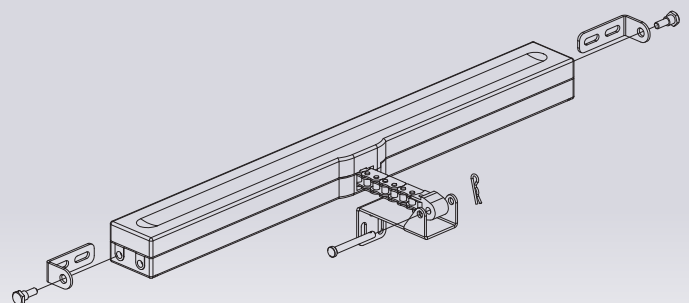


## Outwards opening



#390150

## Inwards opening



#390160